



impro
technologies®

Access In a Box

AP Lite S-Series

Quick Install Guide

HBS301-0-0-GB-01

© 2019 Impro Technologies All rights reserved

Contents



IPS Cabinet
& Drill Template

Quick Install
Guides



Module Fixed
Address Labels

S-Bus
Readers



MOVs &
Spare Fuse

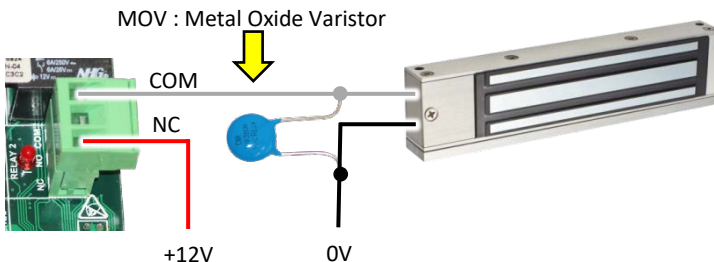


www.impro.net/box

Download the detailed
installation guide

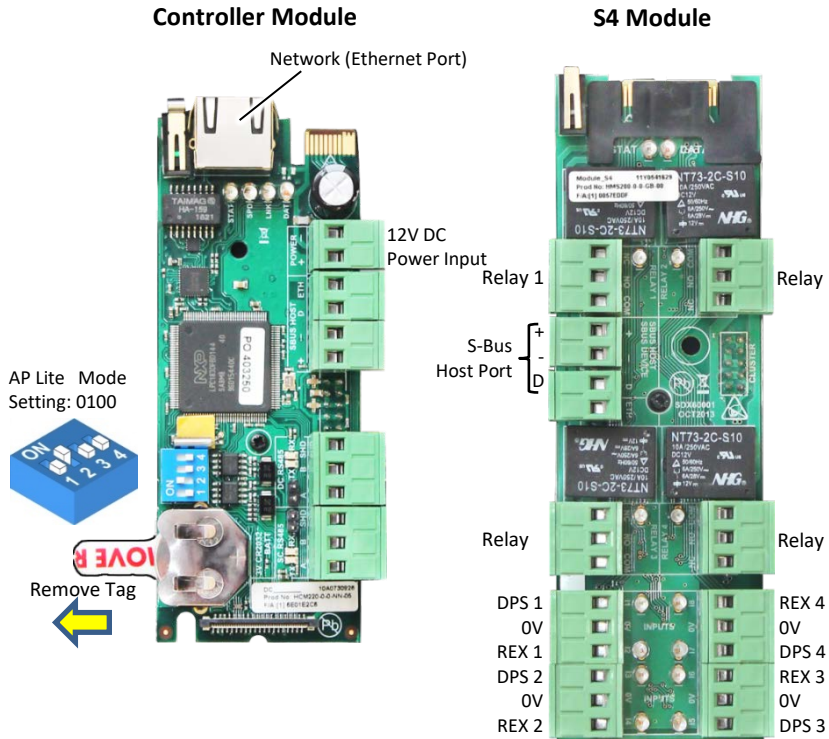
Installation Steps

1. Mount the Cabinet inside the secure zone using suitable fasteners.
2. Wire and Mount the **S-Bus Readers** (see the back page of this guide).
3. Place the fixed address labels for all hardware on page 3&4. (*This will be used when setting up AP Lite so that you know which readers are with which doors.*) Fill in the info above each reader label.
4. Wire the desired inputs (RTE and/or DOS) to the **S4 Module**.
5. Wire the locks to the **S4 Module** relay terminals. Note that MOVs are **mandatory across all 12V inductive loads** - example:



6. Connect the Ethernet cable to the **Controller Module**.
7. Making certain that the mains cable is NOT plugged in, wire the mains power cable to the **Power Supply** AC terminals, in accordance with an applicable national wiring code.
8. Check all wiring. If everything is satisfactory, plug in the mains cable to power up the **IPS Cabinet**. See the Access Portal Lite Quick Guide for logging on and setting up AP Lite.

Basic Module Connections



Note: For best operation a third-party 12VDC battery should be added to the system. A spare battery protection fuse is provided. Please see the AP Lite Installation Guide for details and advanced features.

Place the module address labels in the spaces provided below:

Place the
Controller Module
Address Label
here

**Controller Module
Fixed Address Label**

Place the 1st S4 Module
Address Label here

Place the 3rd S4 Module
Address Label here

Place the 2nd S4 Module
Address Label here

Place the 4th S4 Module
Address Label here

S-Bus Reader fixed address labels as per installation location

Door : Entry / Exit S4 1 2 3 4 Rel 1 2 3 4	Door : Entry / Exit S4 1 2 3 4 Rel 1 2 3 4	Door : Entry / Exit S4 1 2 3 4 Rel 1 2 3 4	Door : Entry / Exit S4 1 2 3 4 Rel 1 2 3 4
Place the SIR READER Address Label here	Place the SIR READER Address Label here	Place the SIR READER Address Label here	Place the SIR READER Address Label here
Place the SIR READER Address Label here	Place the SIR READER Address Label here	Place the SIR READER Address Label here	Place the SIR READER Address Label here
Place the SIR READER Address Label here	Place the SIR READER Address Label here	Place the SIR READER Address Label here	Place the SIR READER Address Label here
Place the SIR READER Address Label here	Place the SIR READER Address Label here	Place the SIR READER Address Label here	Place the SIR READER Address Label here
Place the SIR READER Address Label here	Place the SIR READER Address Label here	Place the SIR READER Address Label here	Place the SIR READER Address Label here

Installing the S-Bus Readers

Choosing reader mounting locations

- Mounting height is 1,2 m above the floor.
- Minimum distance between readers is 500 mm.
- Maximum reader cable length is 150 m.

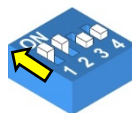
Wiring and settings

- Set the reader's DIP switch corresponding to the S4 relay number that is used to drive the lock on the same door.
- Wire the reader to the S-Bus Host terminal on the S4 Reader Module, in parallel with any other readers associated with that S4 Reader Module.
- Mount the reader.

When all readers are mounted and wired, return to step 3 on the first page of this guide.

Reset Controller to factory condition (Last Resort Only)

1. Set the **controller DIP Switch #1** to **ON**
2. Interrupt Control Module power by unplugging and replacing the power terminal. Allow ~30 seconds for restart.
3. Set the **controller DIP Switch #1** to back to **OFF**



Caution: This will erase all data stored within the controller!
(See the Installation guide for more details)

Specifications

AC Mains Input	100-230 V _{AC} (50/60Hz), 1.3A
Controller Network	10/100 Base T, half or full duplex
S4 Relay Rating	[10A, 28VDC] [5A, 220VAC] [12A, 120VAC]
S4 Recommended Cable Specifications	DOS, RTE & S-Bus: >=22AWG, Max 150m Relay: >=18AWG, Max 150M

Note: It is best practice to use an additional power supply for the locks